

OPERATING GAPS

Mounting Surface	Non - Magnetic
Make distance	40mm
Break Distance	55mm

Notes:

1. Do not remove the “Mag Tamp Byps” link – The product will not function otherwise.
2. Mounting on metal surfaces reduces the functionality, according to the metal type and thickness. Fit the included spacer to negate this effect if necessary.

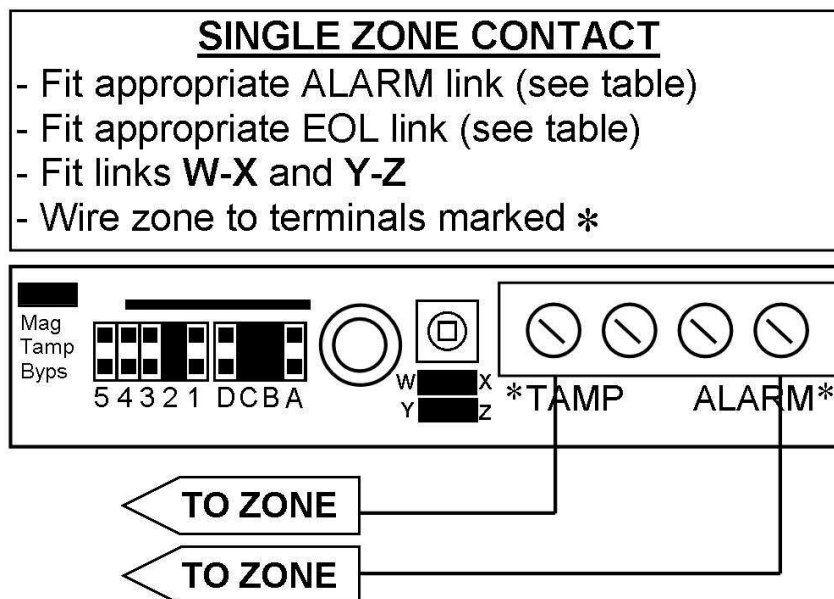
Single Zone Wiring:

Traditional (4 Wire) – Ensure no links are fitted to resistor headers **A-D** and **1-5**. Fit a single link between pins **W** and **X**. Use all four terminals as marked.

Supervised (EOL) – Fit the appropriate links to headers **A-D** and **1-5** for the panel (See table overleaf). Fit links to **W-X** and **Y-Z**. Connect the zone wires to the terminals marked * on the PCB.

Other – Some applications may not require both resistors. In these cases fit link(s) in EOL or Alarm position as appropriate

Wiring D75MULTI in Single Zone Configuration (Cooper Example)

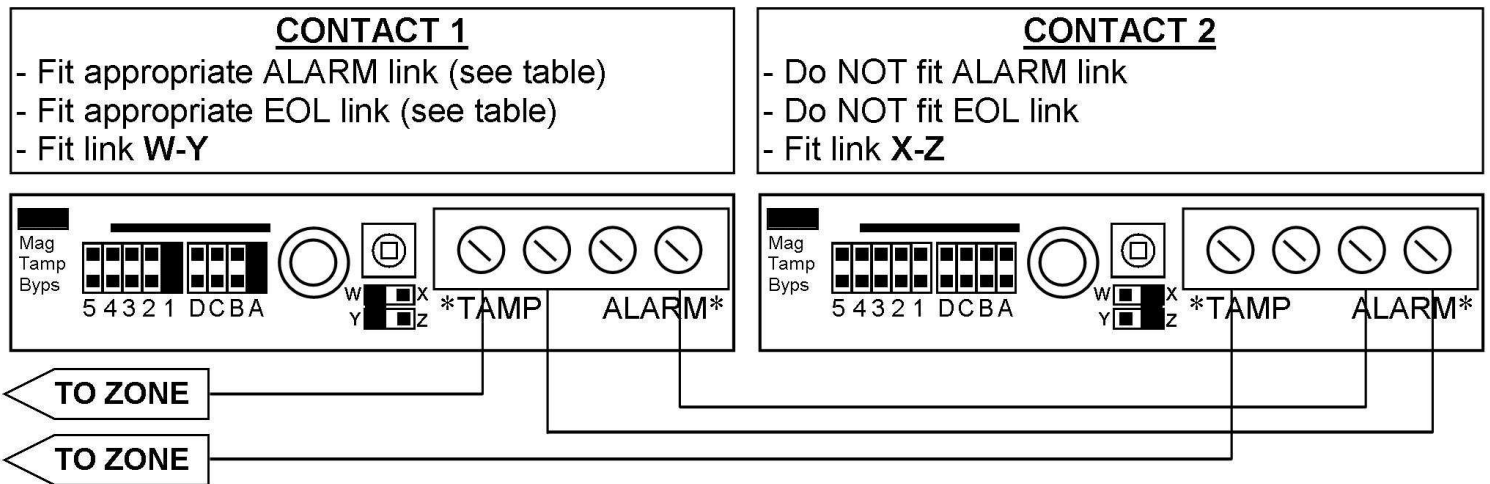


RESISTANCE TABLE

Use this table to assist with the placement of selection links depending on the model of panel being used.

Control Panel	Value		Jumper	
	EOL	Alarm	EOL	Alarm
Honeywell (Ademco/Microtech)	1k	1k	A	1
Cooper (Scantronic, Menvier, Texecom, Pyronix, Castle)	2k2	4k7	B & C	2
Siemens, Aritech, HKC	4k7	4k7	C	2
RISCO (Gardtec)	4k7	6k8	C	3
Guardall	4k1	4k1	B	2 & 4
DSC	5k6	5k6	D	3 & 4
Europlex	2k2	2k2	B & C	5
Inner Range	2k2	6k8	B & C	3

Wiring D75MULTI in Shared Zone Configuration (Honeywell Example)



Note: More than two contacts can share a zone. Please visit the D75MULTI product page at www.knightfireandsecurity.com, where setup diagrams for 3+ contacts can be downloaded if required.